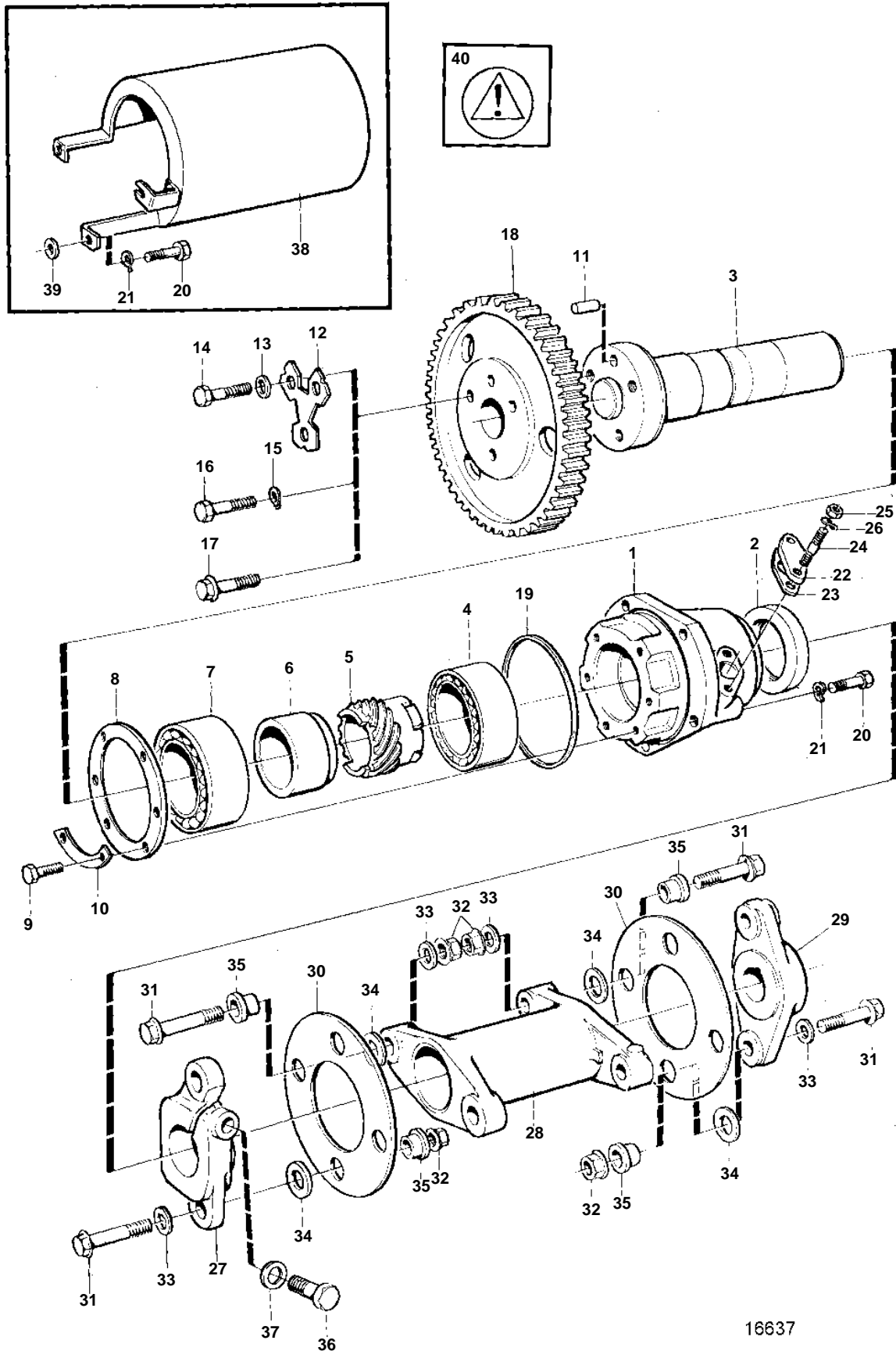


TMD102A



16637

## TMD102A

REF	PART NO.	QTY	DESCRIPTION	SEE SEC.	NOTES
1	421074	1	Bearing housing		Replaced by 1 ea bearing housing 420903, 6 ea washer 955892, 6 ea screw 955274 and 5 ea screw 940159. Thread in bearing changed from 1/4"-UNC to M6.
2	424580	1	Sealing ring		
3	422073	1	Shaft, 3/8"-UNF		SN-XXXXXXXXXX/241412. Replaced by shaft 471557 and 3 ea screw 471558. Shaft 471557 without key groove.
	471557		Axle shaft, M10		SNXXXXXXXXXX/241413-
4	11013	1	Ball bearing		
5	469364	1	Gear		
6	469363	1	Stop ring		
7	181577	1	Ball bearing		
8	423074	1	Washer		
9	940100	6	Screw		
10	421415	3	Lock washer		
11	950586	1	Pin		
12	467052	1	Lock washer		SN-XXXXXXXXXX/231312
13	467055	3	Washer		SN-XXXXXXXXXX/231312
14	102056	3	Screw, 3/8"-UNF		SN-XXXXXXXXXX/231312
15	942336	3	Spring washer		SNXXXXXXXXXX/231313- SN-XXXXXXXXXX/241412
16	921642	3	Screw, 3/8"-UNF		SNXXXXXXXXXX/231313- SN-XXXXXXXXXX/241412
17	471558	3	Screw, M10		SNXXXXXXXXXX/241413-
18	423079	1	Gear		
			Bulletin 45-01	45-01-EN	Timing Gears, 71, 100, 121
19	423123	1	Sealing ring		
20	955525	4	Screw		L=25mm
	955527	1	Screw		L=57mm
21	941907	5	Spring washer		
22	422643	1	Cover		
23	422130	1	Gasket		
24	953224	2	Stud		
25	955825	2	Nut		
26	941906	2	Spring washer		
27	471383	1	Companion flange		
28	471367	1	Intermediate section		
29	471312	1	Companion flange		
30	479459	6	Dog clutch disc		
31	946470	8	Flange screw		
32	968862	8	Nut		
33	960141	8	Washer		
34	479460	8	Washer		
35	478896	8	Sleeve		
36	970878	1	Screw		
37	960148	1	Washer		
38	822875	1	Pump coupling guard		
39	955894	1	Washer		
40	853717	1	Decal		"WARNING". To be placed on the pump companion guard.